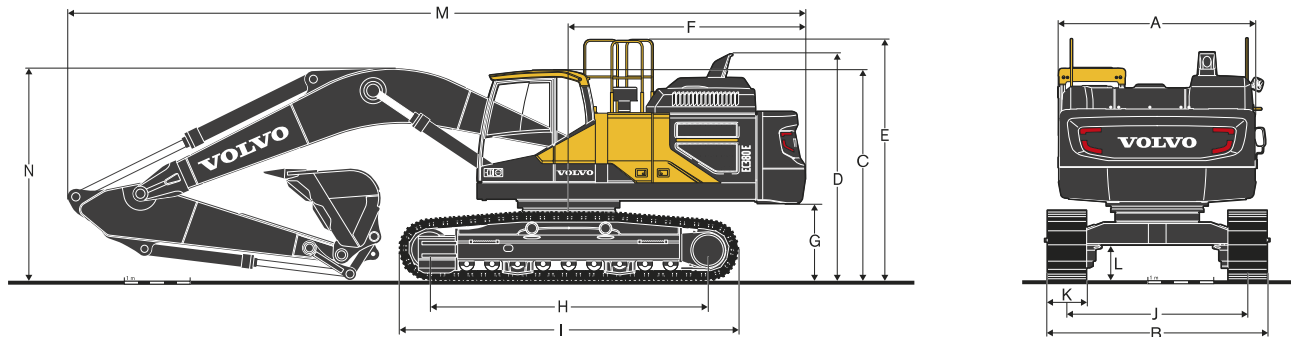


Volvo EC380EL Specifications

DIMENSIONS



Description	Unit		EC350EL							
			6.2 m, 20' 4" ft in		6.45 m, 21' 2" ft in					
Boom	m	in	2.6	8' 6"	2.6	8' 6"	3.2	10' 6"	3.9	12' 10"
A. Overall width of upper structure	mm	in	2 990	9' 10"	2 990	9' 10"	2 990	9' 10"	2 990	9' 10"
B. Overall width	mm	in	3 390	11' 1"	3 390	11' 1"	3 390	11' 1"	3 390	11' 1"
C. Overall height of cab	mm	in	3 231	10' 7"	3 231	10' 7"	3 231	10' 7"	3 231	10' 7"
D. Overall height of diffuser	mm	in	3 475	11' 5"	3 475	11' 5"	3 475	11' 5"	3 475	11' 5"
E. Overall height of guardrail	mm	in	3 696	12' 2"	3 696	12' 2"	3 696	12' 2"	3 696	12' 2"
F. Tail swing radius	mm	in	3 600	11' 10"	3 600	11' 10"	3 600	11' 10"	3 600	11' 10"
G. Counterweight clearance *	mm	in	1 161	3' 10"	1 161	3' 10"	1 161	3' 10"	1 161	3' 10"
H. Tumbler length	mm	in	4 020	13' 2"	4 020	13' 2"	4 020	13' 2"	4 020	13' 2"
I. Track length	mm	in	4 957	16' 3"	4 957	16' 3"	4 957	16' 3"	4 957	16' 3"
J. Track gauge	mm	in	2 590	8' 6"	2 590	8' 6"	2 590	8' 6"	2 590	8' 6"
K. Shoe width	mm	in	800	31"	800	31"	800	31"	800	31"
L. Min. ground clearance *	mm	in	500	1' 8"	500	1' 8"	500	1' 8"	500	1' 8"
M. Overall length	mm	in	11 052	36' 3"	11 312	37' 1"	11 226	36' 10"	11 269	37' 0"
N. Overall height of boom	mm	in	3 756	12' 4"	3 603	11' 10"	3 352	11'	3 596	11' 10"

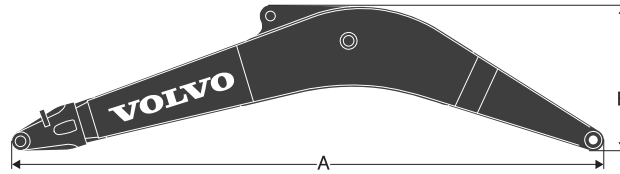
Description	Unit		EC380EL								EC380ELR	
			6.2 m, 20' 4" ft in		6.45 m, 21' 2" ft in						8.5 m, 27' 11" ft in	
Boom	m	in	2.6	8' 6"	2.6	8' 6"	3.2	10' 6"	3.9	12' 10"	5	16' 5"
A. Overall width of upper structure	mm	in	2 990	9' 10"	2 990	9' 10"	2 990	9' 10"	2 990	9' 10"	2 990	9' 10"
B. Overall width	mm	in	3 540	11' 7"	3 540	11' 7"	3 540	11' 7"	3 540	11' 7"	3 540	11' 7"
C. Overall height of cab	mm	in	3 220	10' 7"	3 220	10' 7"	3 220	10' 7"	3 220	10' 7"	3 220	10' 7"
D. Overall height of diffuser	mm	in	3 470	11' 5"	3 470	11' 5"	3 470	11' 5"	3 470	11' 5"	3 470	11' 5"
E. Overall height of guardrail	mm	in	3 685	12' 1"	3 685	12' 1"	3 685	12' 1"	3 685	12' 1"	3 685	12' 1"
F. Tail swing radius	mm	in	3 600	11' 10"	3 600	11' 10"	3 600	11' 10"	3 600	11' 10"	3 600	11' 10"
G. Counterweight clearance *	mm	in	1 155	3' 9"	1 155	3' 9"	1 155	3' 9"	1 155	3' 9"	1 155	3' 9"
H. Tumbler length	mm	in	4 240	13' 11"	4 240	13' 11"	4 240	13' 11"	4 240	13' 11"	4 240	13' 11"
I. Track length	mm	in	5 180	17' 0"	5 180	17' 0"	5 180	17' 0"	5 180	17' 0"	5 180	17' 0"
J. Track gauge	mm	in	2 740	9' 0"	2 740	9' 0"	2 740	9' 0"	2 740	9' 0"	2 740	9' 0"
K. Shoe width	mm	in	800	32"	800	32"	800	32"	800	32"	800	32"
L. Min. ground clearance *	mm	in	500	1' 8"	500	1' 8"	500	1' 8"	500	1' 8"	500	1' 8"
M. Overall length	mm	in	11 060	36' 3"	11 310	37' 1"	11 225	36' 10"	11 270	37' 0"	13 065	42' 10"
N. Overall height of boom	mm	in	3 510	11' 6"	3 455	11' 4"	3 275	10' 9"	3 485	11' 5"	4 500	14' 9"

*Without shoe grouser

Volvo EC380EL Specifications

DIMENSIONS

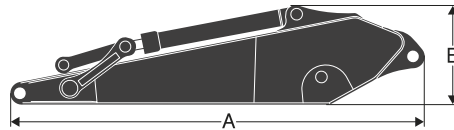
Boom



Description	Unit		mono		mono		mono	
	m	in	6.2 ME	20' 4"	6.45 HD	21' 2"	8.5 LR	27' 11"
A	mm	in	6 460	21' 2"	6 700	22' 0"	8 750	28' 8"
B	mm	in	1 740	5' 9"	1 800	5' 11"	1 610	5' 3"
Width	mm	in	820	2' 8"	820	2' 8"	820	2' 8"
Weight	kg	lb	3 355	7,390	3 310	7,300	4 855	10,710

* Includes arm cylinder, piping and pin

Arm

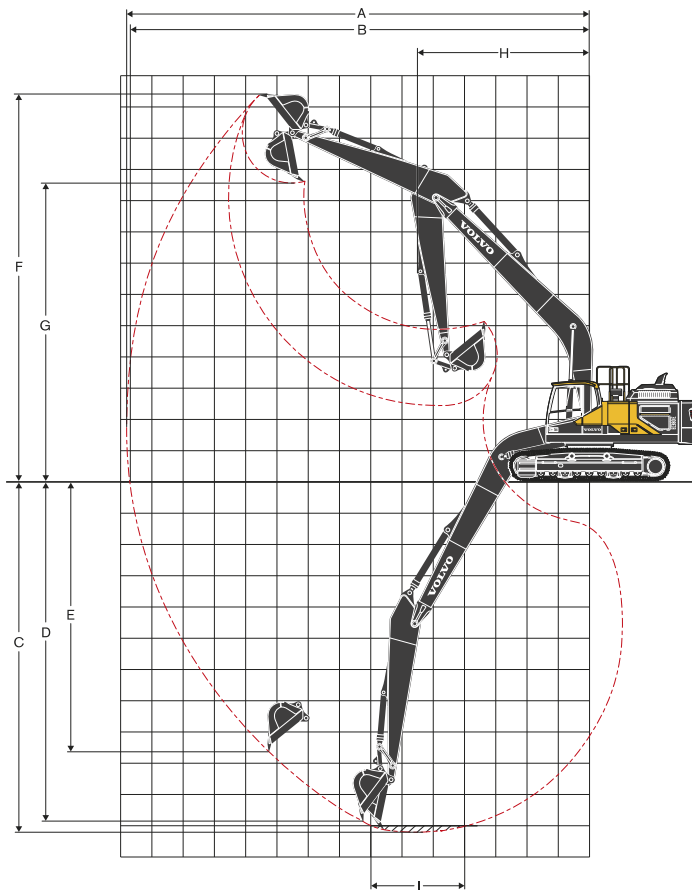
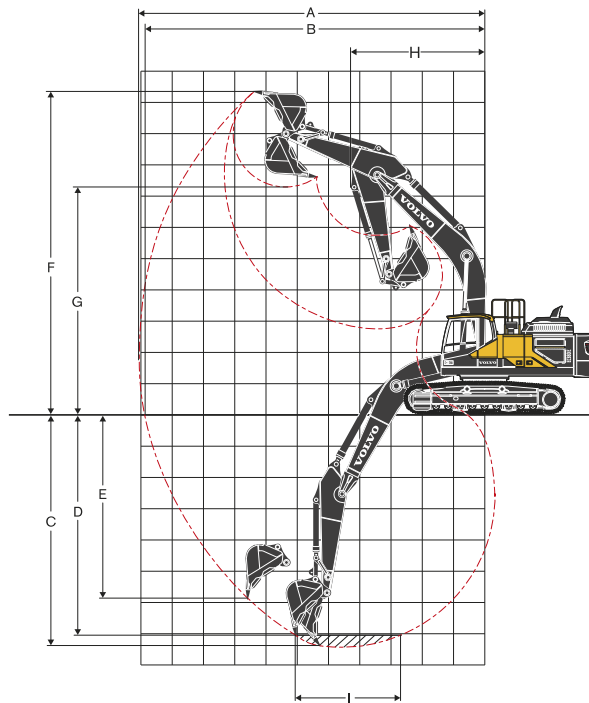


Description	Unit		Long reach							
	m	in	2.6	8' 6"	3.2 HD	10' 6"	3.9	12' 10"	5.0 LR	16' 5"
A	mm	in	3 780	12' 5"	4 360	14' 4"	5 080	16' 8"	6 180	20' 3"
B	mm	in	1 145	3' 9"	1 145	3' 9"	1 145	3' 9"	1 040	3' 5"
Width	mm	in	560	1' 10"	560	1' 10"	560	1' 10"	560	1' 10"
Weight	kg	lb	2 050	4,520	2 180	4,810	2 300	5,070	2 525	5,570

* Includes bucket cylinder, linkage and pin

Volvo EC380EL Specifications

WORK RANGES



Volvo EC380EL Specifications

WORK RANGES

Description	Unit		EC350E							
			6.2 m, 20' 4" ft in				6.45 m, 21' 2" ft in			
Boom										
Arm	m	ft in	2.6	8' 6"	2.6	8' 6"	3.2	10' 6"	3.9	12' 10"
A. Max. digging reach	mm	ft in	10 450	34' 3"	10 700	35' 1"	11 220	36' 10"	11 860	38' 11"
B. Max. digging reach on ground	mm	ft in	10 225	33' 7"	10 480	34' 5"	11 010	36' 2"	11 665	38' 3"
C. Max. digging depth	mm	ft in	6 750	22' 2"	6 985	22' 11"	7 585	24' 11"	8 285	27' 2"
D. Max. digging depth (2,44 m/8' level)	mm	ft in	6 570	21' 7"	6 800	22' 4"	7 420	24' 4"	8 140	26' 9"
E. Max. vertical wall digging depth	mm	ft in	4 855	15' 11"	5 080	16' 8"	5 510	18' 1"	6 300	20' 8"
F. Max. cutting height	mm	ft in	10 065	33' 0"	10 215	33' 6"	10 380	34' 1"	10 680	35' 0"
G. Max. dumping height	mm	ft in	6 805	22' 4"	6 955	22' 10"	7 145	23' 5"	7 420	24' 4"
H. Min. front slew radius	mm	ft in	4 115	13' 6"	4 315	14' 2"	4 275	14' 0"	4 235	13' 11"

Digging forces with direct fit bucket

Bucket radius	mm	ft in	1 810	5' 11"	1 623	5' 4"	1 623	5' 4"	1 623	5' 4"
Breakout force - bucket (Normal/Power boost)	SAE J1179	kN lb	214.5	48,220	198.0	44,510	198.0	44,510	198.0	44,510
	ISO 6015	kN lb	234.5	52,720	215.0	48,335	215.0	48,335	215.0	48,335
	ISO 6015	kN lb	243.4	54,720	221.7	49,840	221.7	49,840	221.7	49,840
Tearout force - dipper arm (Normal/Power boost)	SAE J1179	kN lb	187.7	42,195	195.9	44,040	161.9	36,395	141.3	31,765
	SAE J1179	kN lb	205.7	46,245	212.9	47,860	176.9	39,770	154.3	34,690
	ISO 6015	kN lb	193.9	43,590	201.1	45,210	166.0	37,320	144.4	32,460
ISO 6015	kN lb	211.9	47,635	219.1	49,255	181.0	40,690	157.4	35,385	
Rotation angle, bucket	°		164		177		177		177	

Description	Unit		EC380E							
			6.2 m, 20' 4" ft in				6.45 m, 21' 2" ft in			
Boom										
Arm	m	ft in	2.6	8' 6"	2.6	8' 6"	3.2	10' 6"	3.9	12' 10"
A. Max. digging reach	mm	ft in	10 300	33' 9"	10 545	34' 7"	11 070	36' 4"	11 700	38' 5"
B. Max. digging reach on ground	mm	ft in	10 075	33' 1"	10 325	33' 11"	10 860	35' 7"	11 500	37' 9"
C. Max. digging depth	mm	ft in	6 540	21' 6"	6 785	22' 3"	7 390	24' 3"	8 085	26' 6"
D. Max. digging depth (2,44 m/8' level)	mm	ft in	6 180	20' 3"	6 430	21' 1"	7 060	23' 2"	7 735	25' 4"
E. Max. vertical wall digging depth	mm	ft in	5 275	17' 4"	5 430	17' 10"	5 875	19' 3"	6 675	21' 11"
F. Max. cutting height	mm	ft in	10 035	32' 11"	10 170	33' 4"	10 340	33' 11"	10 635	34' 11"
G. Max. dumping height	mm	ft in	6 945	22' 9"	7 095	23' 3"	7 285	23' 11"	7 560	24' 10"
H. Min. front slew radius	mm	ft in	4 115	13' 6"	4 315	14' 2"	4 275	14' 0"	4 240	13' 11"

Digging forces with direct fit bucket

Bucket radius	mm	ft in	1 810	5' 11"	1 623	5' 4"	1 623	5' 4"	1 623	5' 4"
Breakout force - bucket (Normal/Power boost)	SAE J1179	kN lb	214.5	48,220	198.0	44,510	198.0	44,510	198.0	44,510
	ISO 6015	kN lb	234.5	52,720	215.0	48,335	215.0	48,335	215.0	48,335
	ISO 6015	kN lb	243.4	54,720	221.7	49,840	221.7	49,840	221.7	49,840
Tearout force - dipper arm (Normal/Power boost)	SAE J1179	kN lb	187.7	42,195	195.9	44,040	161.9	36,395	141.3	31,765
	SAE J1179	kN lb	205.7	46,245	212.9	47,860	176.9	39,770	154.3	34,690
	ISO 6015	kN lb	193.9	43,590	201.1	45,210	166.0	37,320	144.4	32,460
ISO 6015	kN lb	211.9	47,635	219.1	49,255	181.0	40,690	157.4	35,385	
Rotation angle, bucket	°		164		177		177		177	