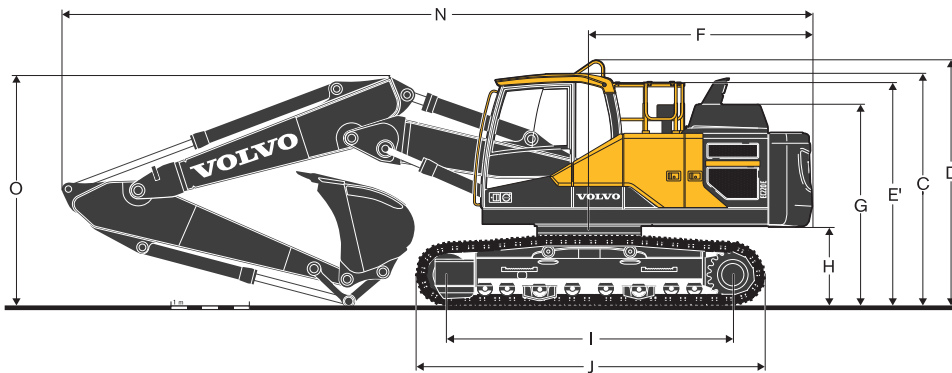
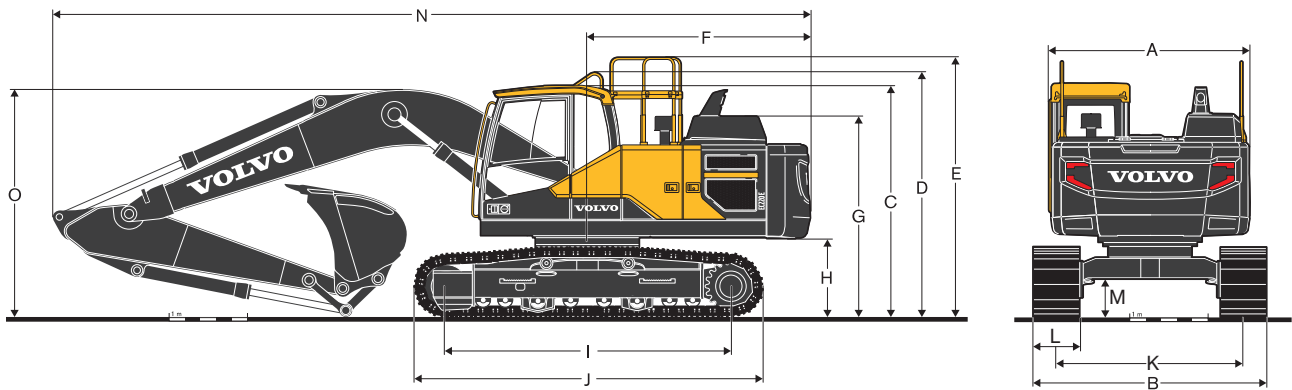


Volvo EC220EL Specifications



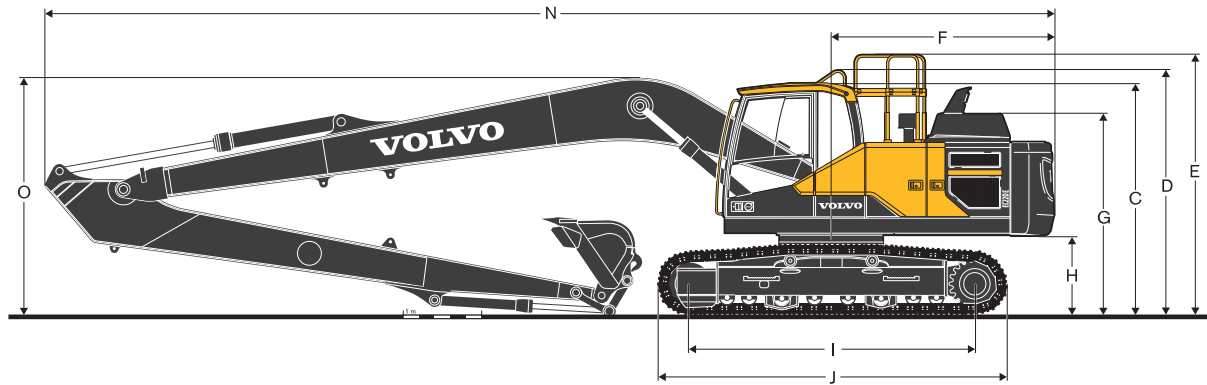
DIMENSIONS

Description	Unit	EC220EL				EC220ENL			
		5.7 mono or 5.57 2-piece				5.7 mono or 5.57 2-piece			
Boom	m	2.0	2.5	2.9	3.5	2.0	2.5	2.9	3.5
A. Overall width of upper structure	mm	2 540	2 540	2 540	2 540	2 540	2 540	2 540	2 540
B. Overall width	mm	2 990	2 990	2 990	2 990	2 540	2 540	2 540	2 540
C. Overall height of cab	mm	2 955	2 955	2 955	2 955	2 955	2 955	2 955	2 955
D. Overall height of handrail	mm	3 075	3 075	3 075	3 075	3 075	3 075	3 075	3 075
E. Overall height of guardrail(unfolded)	mm	3 270	3 270	3 270	3 270	3 270	3 270	3 270	3 270
E'. Overall height of guardrail(folded)	mm	2 790	2 790	2 790	2 790	2 790	2 790	2 790	2 790
F. Tail swing radius	mm	2 850	2 850	2 850	2 850	2 850	2 850	2 850	2 850
G. Overall height of engine hood	mm	2 600	2 600	2 600	2 600	2 600	2 600	2 600	2 600
H. Counterweight clearance *	mm	1 025	1 025	1 025	1 025	1 025	1 025	1 025	1 025
I. Tumbler length	mm	3 660	3 660	3 660	3 660	3 660	3 660	3 660	3 660
J. Track length	mm	4 460	4 460	4 460	4 460	4 460	4 460	4 460	4 460
K. Track gauge	mm	2 390	2 390	2 390	2 390	2 040	2 040	2 040	2 040
L. Shoe width	mm	600	600	600	600	500	500	500	500
M. Min. ground clearance *	mm	460	460	460	460	460	460	460	460
N. Overall length	mm	9 795	9 745	9 690	9 720	9 795	9 745	9 690	9 720
N1. Overall length	mm	9 660	9 610	9 570	9 560	9 660	9 610	9 570	9 560
O. Overall height of boom	mm	3 100	3 080	2 940	3 260	3 100	3 080	2 940	3 260
O1. Overall height of boom	mm	3 065	3 065	2 960	3 310	3 065	3 065	2 960	3 310

* Without shoe grouser.

1 2-piece boom

Volvo EC220EL Specifications

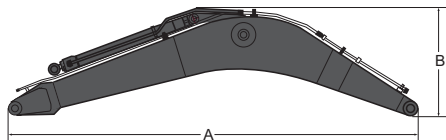


DIMENSIONS

Description	Unit	EC220EN				EC220ENH				EC220ELR
		5.7 mono or 5.57 2-piece				5.7 mono or 5.57 2-piece				8.85
Boom	m									
Arm	m	2.0	2.5	2.9	3.5	2.0	2.5	2.9	3.5	6.25
A. Overall width of upper structure	mm	2 540	2 540	2 540	2 540	2 540	2 540	2 540	2 540	2 540
B. Overall width	mm	2 800	2 800	2 800	2 800	2 540	2 540	2 540	2 540	3 190
C. Overall height of cab	mm	2 955	2 955	2 955	2 955	3 020	3 020	3 020	3 020	2 955
D. Overall height of handrail	mm	3 075	3 075	3 075	3 075	3 140	3 140	3 140	3 140	3 075
E. Overall height of guardrail(unfolded)	mm	3 270	3 270	3 270	3 270	3 335	3 335	3 335	3 335	3 270
E'. Overall height of guardrail(folded)	mm	2 790	2 790	2 790	2 790	2 855	2 855	2 855	2 855	2 790
F. Tail swing radius	mm	2 850	2 850	2 850	2 850	2 850	2 850	2 850	2 850	2 850
G. Overall height of engine hood	mm	2 600	2 600	2 600	2 600	2 665	2 665	2 665	2 665	2 600
H. Counterweight clearance *	mm	1 025	1 025	1 025	1 025	1 090	1 090	1 090	1 090	1 025
I. Tumbler length	mm	3 370	3 370	3 370	3 370	3 510	3 510	3 510	3 510	3 660
J. Track length	mm	4 160	4 160	4 160	4 160	4 360	4 360	4 360	4 360	4 460
K. Track gauge	mm	2 200	2 200	2 200	2 200	2 040	2 040	2 040	2 040	2 390
L. Shoe width	mm	600	600	600	600	500	500	500	500	800
M. Min. ground clearance *	mm	460	460	460	460	490	490	490	490	460
N. Overall length	mm	9 795	9 745	9 690	9 720	9 795	9 745	9 690	9 720	12 880
N1. Overall length	mm	9 660	9 610	9 570	9 560	9 660	9 610	9 570	9 560	-
O. Overall height of boom	mm	3 100	3 080	2 940	3 260	3 100	3 080	2 940	3 260	3 055
O1. Overall height of boom	mm	3 065	3 065	2 960	3 310	3 065	3 065	2 960	3 310	-

* Without shoe grouser.

1 2-piece boom



DIMENSIONS

Boom						Arm							
Description	Unit	mono	mono	2-piece	Long-Reach	Description	Unit					Long-Reach	
Boom	m	5.7	5.7 HD	5.57	8.85	Arm	m	2.0	2.5	2.9	2.9 HD	3.5	6.25
Length	mm	5 910	5 910	5 780	9 060	Length	mm	3 065	3 525	3 910	3 910	4 540	7 330
Height	mm	1 585	1 585	1 570	1 460	Height	mm	980	860	860	860	855	945
Width	mm	670	670	670	670	Width	mm	440	440	440	440	440	385
Weight	kg	2 006	2 151	2 585	2 510	Weight	kg	1 091	1 133	1 146	1 183	1 226	1 309

* Includes cylinder, piping and pin, excludes boom cylinder pin

* Includes cylinder, linkage and pin

Volvo EC220EL Specifications

MACHINE WEIGHTS AND GROUND PRESSURE

Description	Shoe width	Operating weight	Ground pressure	Overall width	Operating weight	Ground pressure	Overall width
	mm	kg	kPa	mm	kg	kPa	mm
		EC220EL					
		5.7m boom, 2.9m arm, 820kg / 0.92m³ bucket, 4 200kg counterweight			5.57m 2-piece, 2.9m arm, 820kg / 0.92m³ bucket, 4 200kg counterweight		
Triple grouser	500	500	21 440	53.0	2 890	22 130	54.9
	600	600	21 700	45.1	2 990	22 385	46.1
	700	700	22 160	39.2	3 090	22 840	40.2
	800	800	22 445	35.3	3 190	23 130	36.3
	900	900	22 740	31.4	3 290	23 420	32.4
Triple grouser HD	600	600	21 870	45.1	2 990	22 550	47.1
Double grouser	700	700	22 425	40.2	3 090	23 110	41.2
Single grouser	600	600	21 910	45.1	2 990	22 590	47.1
		EC220ENL					
		5.7m boom, 2.9m arm, 820kg / 0.92m³ bucket, 5 000kg counterweight			5.57m 2-piece, 2.9m arm, 820kg / 0.92m³ bucket, 5 000kg counterweight		
Triple grouser	500	22 150	54.9	2 540	22 840	56.9	2 540
	600	22 410	46.1	2 640	23 100	48.0	2 640
	700	22 870	40.2	2 740	23 560	42.2	2 740
Triple grouser HD	600	22 580	47.1	2 640	23 265	48.0	2 640
Double grouser	700	23 140	41.2	2 740	23 820	42.2	2 740
		EC220EN					
		5.7m boom, 2.9m arm, 820kg / 0.92m³ bucket, 4 200kg counterweight			5.57m 2-piece, 2.9m arm, 820kg / 0.92m³ bucket, 4 200kg counterweight		
Triple grouser	600	21 280	48.0	2 800	21 960	49.0	2 800
	700	21 710	41.2	2 900	22 395	43.1	2 900
	800	21 980	37.3	3 000	22 660	38.2	3 000
	900	22 220	33.3	3 100	22 900	34.3	3 100
Triple grouser HD	600	21 440	48.0	2 800	22 120	50.0	2 800
		EC220ENH					
		5.7m boom, 2.9m arm, 820kg / 0.92m³ bucket, 5 000kg counterweight			5.57m 2-piece, 2.9m arm, 820kg / 0.92m³ bucket, 5 000kg counterweight		
Triple grouser	500	23 270	62.8	2 540	23 960	64.7	2 540
	600	23 590	53.0	2 640	24 270	53.9	2 640
	700	24 110	46.1	2 740	24 790	48.0	2 740
		EC220ELR					
		8.85m boom, 6.25m arm, 452kg / 0.52m³ bucket, 5 000kg counterweight					
Triple grouser	800	23 690	37.3	3 190			
	900	23 990	33.3	3 290			

