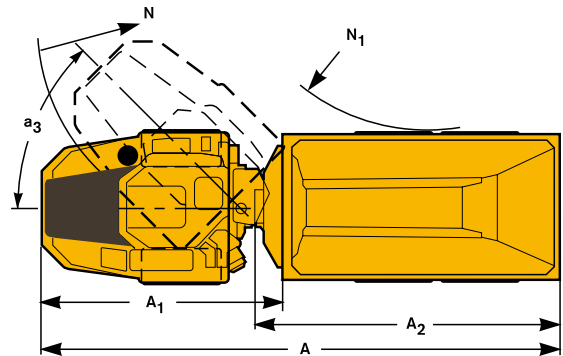
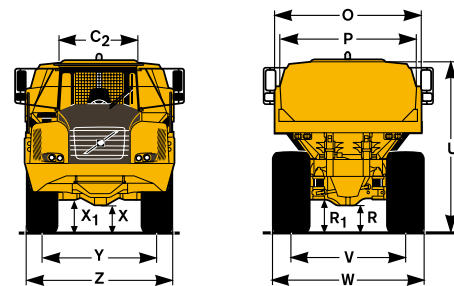
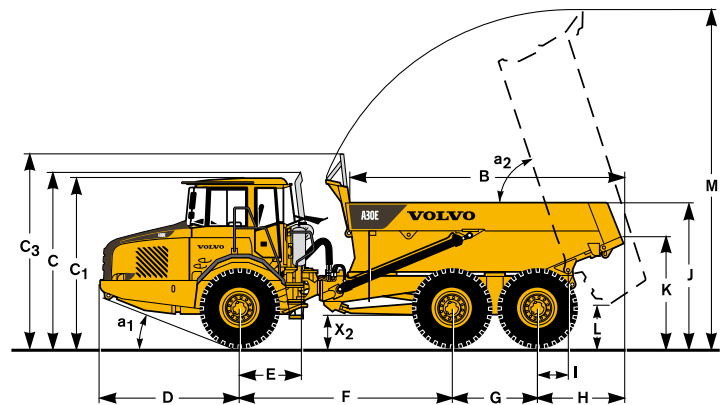


Volvo A25E Specifications

Pos	Metric (mm)		Imperial (Feet)	
	A25E	A30E	A25E	A30E
A	10 220	10 297	33'6"	33'9"
A ₁	4 954	4 954	16'3"	16'3"
A ₂	5 764	6 002	18'11"	19'8"
B	5 152	5 339	16'11"	17'6"
C	3 428	3 428	11'3"	11'3"
C ₁	3 318	3 318	10'11"	10'11"
C ₂	1 768	1 768	5'10"	5'10"
C ₃	3 760	3 834	12'4"	12'7"
D	2 764	2 764	9'1"	9'1"
E	1 210	1 210	4'0"	4'0"
F	4 175	4 175	13'8"	13'8"
G	1 670	1 670	5'6"	5'6"
H	1 610	1 688	5'3"	5'6"
I	608	608	2'0"	2'0"
J	2 778	2 856	9'1"	9'4"
K	2 102	2 181	6'11"	7'2"
L	677	686	2'3"	2'3"
M	6 559	6 592	21'6"	21'8"
N	8 105	8 105	26'7"	26'7"
N ₁	4 079	4 037	13'5"	13'3"
O	2 700	2 900	8'10"	9'6"
P	2 490	2 706	8'2"	8'11"
R	512	513	1'8"	1'8"
R ₁	634	635	2'1"	2'1"
U	3 257	3 310	10'8"	10'10"
V	2 258	2 216	7'5"	7'3"
V*	-----	2 258	-----	7'5"
W	2 859	2 941	9'5"	9'8"
W*	-----	2 859	-----	9'5"
X	456	456	1'6"	1'6"
X ₁	581	582	1'11"	1'11"
X ₂	659	659	2'2"	2'2"
Y	2 258	2 216	7'5"	7'3"
Y*	-----	2 258	-----	7'5"
Z	2 859	2 941	9'5"	9'8"
Z*	-----	2 859	-----	9'5"
a ₁	23.5°	23.5°	23.5°	23.5°
a ₂	74°	70°	74°	70°
a ₃	45°	45°	45°	45°



A25E: Unloaded machine with 23,5 R25
A30E: Unloaded machine with 750/65R25
*) A30E with optional 23,5 R25 tires

Volvo A25E Specifications

Load capacity

	A25E		A30E	
Standard Body				
Load capacity	24 000 kg	26.5 sh tn	28 000 kg	31.0 sh tn
Body, struck	11,7 m ³	15.3 yd ³	13,6 m ³	17.8 yd ³
Body, heaped	15,0 m ³	19.6 yd ³	17,5 m ³	22.9 yd ³
With underhung tailgate				
Body, struck	12,0 m ³	15.7 yd ³	13,8 m ³	18 yd ³
Body, heaped	15,3 m ³	20 yd ³	18,0 m ³	23.5 yd ³
With overhung tailgate				
Body, struck	12,1 m ³	15.8 yd ³	14,0 m ³	18.3 yd ³
Body, heaped	15,6 m ³	20.4 yd ³	18,1 m ³	23.7 yd ³
With over- and underhung tailgate				
Body, struck	12,1 m ³	15.8 yd ³	- m ³	- yd ³
Body, heaped	15,6 m ³	20.4 yd ³	- m ³	- yd ³

Weights

	A25E		A30E	
Tires	23,5R25		750/65R25	
Operating weight unloaded				
Front	12 160 kg	26 808 lb	12 500 kg	27 557 lb
Rear	9 400 kg	20 723 lb	10 560 kg	23 280 lb
Total	21 560 kg	47 531 lb	23 060 kg	50 838 lb
Payload	24 000 kg	52 910 lb	28 000 kg	61 729 lb
Total weight				
Front	14 140 kg	31 173 lb	14 990 kg	33 047 lb
Rear	31 420 kg	69 269 lb	36 070 kg	79 520 lb
Total	45 560 kg	100 442 lb	51 060 kg	112 568 lb

Operating weight includes all fluids and operator.

Ground Pressure

	A25E		A30E			
Tires	23,5R25		750/65R25		23,5R25	
Unloaded						
Front	123 kPa	17.8 psi	101 kPa	14.6 psi	127 kPa	18.4 psi
Rear	48 kPa	7.0 psi	43 kPa	6.2 psi	54 kPa	7.8 psi
Loaded						
Front	144 kPa	20.8 psi	121 kPa	17.5 psi	152 kPa	22.0 psi
Rear	159 kPa	23.0 psi	146 kPa	21.2 psi	183 kPa	26.5 psi

Speed

	A25E		A30E	
Forward				
1	8 km/h	5.0 mph	8 km/h	5.0 mph
2	12 km/h	7.5 mph	12 km/h	7.5 mph
3	22 km/h	13.6 mph	22 km/h	13.6 mph
4	31 km/h	19.3 mph	31 km/h	19.3 mph
5	40 km/h	24.8 mph	40 km/h	24.8 mph
6	53 km/h	32.9 mph	53 km/h	32.9 mph
Reverse				
1	8 km/h	5.0 mph	8 km/h	5.0 mph
2	13 km/h	8.1 mph	13 km/h	8.1 mph

Fill capacities

	A25E		A30E	
Crankcase	40 litre	10.6 US gal	40 litre	10.6 US gal
Fuel tank	400 litre	106.0 US gal	400 litre	106.0 US gal
Cooling system	115 litre	30.4 US gal	115 litre	30.4 US gal
Transmission, total	41 litre	11.0 US gal	41 litre	11.0 US gal
Dropbox	8,5 litre	2.2 US gal	8,5 litre	2.2 US gal
Axles, front/rear	33 litre	8.7 US gal	33 litre	8.7 US gal
First bogie axle	34 litre	9.0 US gal	34 litre	9.0 US gal
Hydraulic tank	175 l litre	46.0 US gal	175 l litre	46.0 US gal

Body material

Front	8 mm	0.31"
Sides	12 mm	0.47"
Bottom	14 mm	0.55"
Chute	14 mm	0.55"
Yield strength	1000 N/mm ²	145 000 psi
Tensile strength	1250 N/mm ²	181 000 psi
Hardness	400 HB	