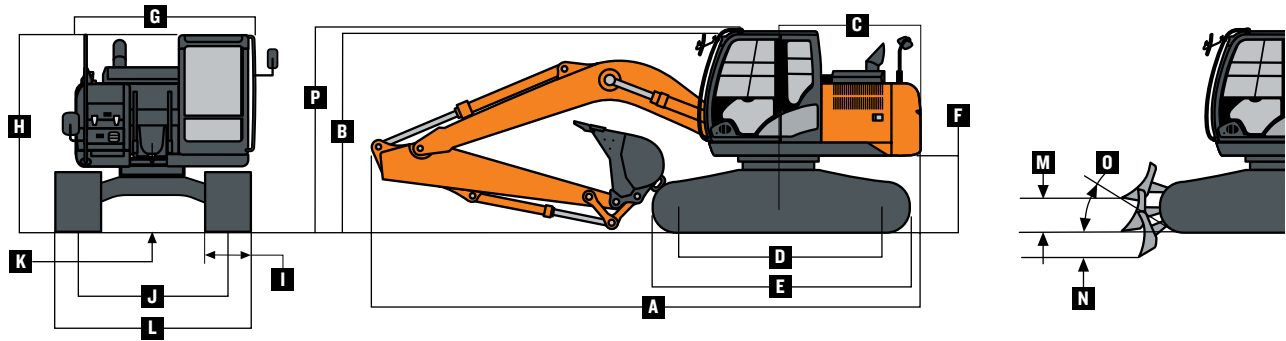
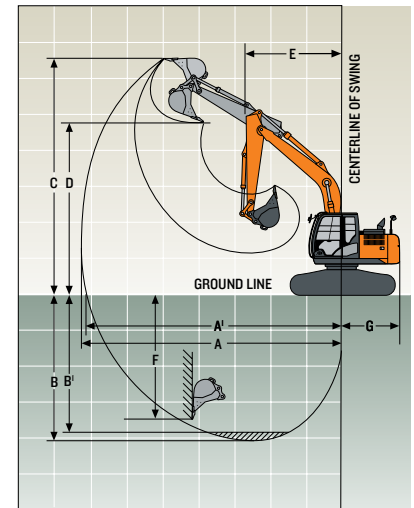


# ZX130-6 Specifications

Operating Dimensions	ZX130-6	
<b>Arm Length</b>	<b>2.52 m (8 ft. 3 in.)</b>	<b>3.01 m (9 ft. 11 in.)</b>
<b>Arm Digging Force</b>		
SAE	67 kN (14,991 lb.)	60 kN (13,470 lb.)
ISO	69 kN (15,476 lb.)	62 kN (13,845 lb.)
<b>Bucket Digging Force</b>		
SAE	91 kN (20,525 lb.)	91 kN (20,525 lb.)
ISO	104 kN (23,435 lb.)	104 kN (23,435 lb.)
<b>A Maximum Reach</b>	<b>8.32 m (27 ft. 4 in.)</b>	<b>8.79 m (28 ft. 10 in.)</b>
<b>A' Maximum Reach at Ground Level</b>	<b>8.20 m (26 ft. 11 in.)</b>	<b>8.67 m (28 ft. 5 in.)</b>
<b>B Maximum Digging Depth</b>	<b>5.57 m (18 ft. 3 in.)</b>	<b>6.06 m (19 ft. 11 in.)</b>
<b>B' Maximum Digging Depth at 2.44-m (8 ft.) Flat Bottom</b>	<b>5.35 m (17 ft. 7 in.)</b>	<b>5.88 m (19 ft. 3 in.)</b>
<b>C Maximum Cutting Height</b>	<b>8.60 m (28 ft. 3 in.)</b>	<b>8.93 m (29 ft. 4 in.)</b>
<b>D Maximum Dumping Height</b>	<b>6.19 m (20 ft. 4 in.)</b>	<b>6.52 m (21 ft. 5 in.)</b>
<b>E Minimum Swing Radius</b>	<b>2.40 m (7 ft. 10 in.)</b>	<b>2.62 m (8 ft. 7 in.)</b>
<b>F Maximum Vertical Wall</b>	<b>5.02 m (16 ft. 6 in.)</b>	<b>5.50 m (18 ft. 1 in.)</b>
<b>G Tail Swing Radius</b>	<b>2.19 m (7 ft. 2 in.)</b>	<b>2.19 m (7 ft. 2 in.)</b>



Machine Dimensions	ZX130-6	
<b>A Overall Length w/ Arm</b>	<b>2.52 m (8 ft. 3 in.)</b>	<b>3.01 m (9 ft. 11 in.)</b>
	<b>7.70 m (25 ft. 3 in.)</b>	<b>7.71 m (25 ft. 4 in.)</b>
<b>B Overall Height w/ Arm</b>	<b>2.52 m (8 ft. 3 in.)</b>	<b>3.01 m (9 ft. 11 in.)</b>
	<b>2.75 m (9 ft.)</b>	<b>2.74 m (9 ft.)</b>
<b>C Rear-End Length/Swing Radius</b>	<b>2.19 m (7 ft. 2 in.)</b>	
<b>D Distance Between Idler/Sprocket Centerline</b>	<b>2.88 m (9 ft. 5 in.)</b>	
<b>E Undercarriage Length</b>	<b>3.58 m (11 ft. 9 in.)</b>	
<b>F Counterweight Clearance</b>	<b>840 mm (33 in.)</b>	
<b>G Upperstructure Width</b>	<b>2.46 m (8 ft. 1 in.)</b>	
<b>H Cab Height</b>	<b>2.79 m (9 ft. 2 in.)</b>	
<b>I Track Width w/ Triple Semi-Grouser Shoes</b>	<b>600 mm (24 in.)</b>	<b>700 mm (28 in.)</b>

Machine Dimensions	ZX130-6	
<b>J Gauge Width</b>	<b>1.99 m (6 ft. 6 in.)</b>	
<b>K Ground Clearance</b>	<b>410 mm (16 in.)</b>	
<b>L Overall Width w/ Triple Semi-Grouser Shoes</b>	<b>600 mm (24 in.)</b>	<b>2.59 m (8 ft. 6 in.)</b>
	<b>700 mm (28 in.)</b>	<b>2.69 m (8 ft. 10 in.)</b>
<b>M Blade Lift Height</b>	<b>523 mm (21 in.)</b>	
<b>N Blade Cut Below Grade</b>	<b>488 mm (19 in.)</b>	
<b>O Blade Lift Angle</b>	<b>27 deg.</b>	
<b>Blade Length</b>	<b>2.51 m (8 ft. 3 in.)</b>	
<b>Blade Height</b>	<b>523 mm (21 in.)</b>	
<b>Blade Width w/ Triple Semi-Grouser Shoes</b>	<b>600 mm (24 in.)</b>	<b>2590 mm (8 ft. 6 in.)</b>
	<b>700 mm (28 in.)</b>	<b>2690 mm (8 ft. 10 in.)</b>
<b>P Transport Height (Pin in transport position)</b>	<b>2.52 m (8 ft. 3 in.)</b>	<b>2.87 m (9 ft. 5 in.)</b>
	<b>3.01 m (9 ft. 11 in.)</b>	<b>2.87 m (9 ft. 5 in.)</b>