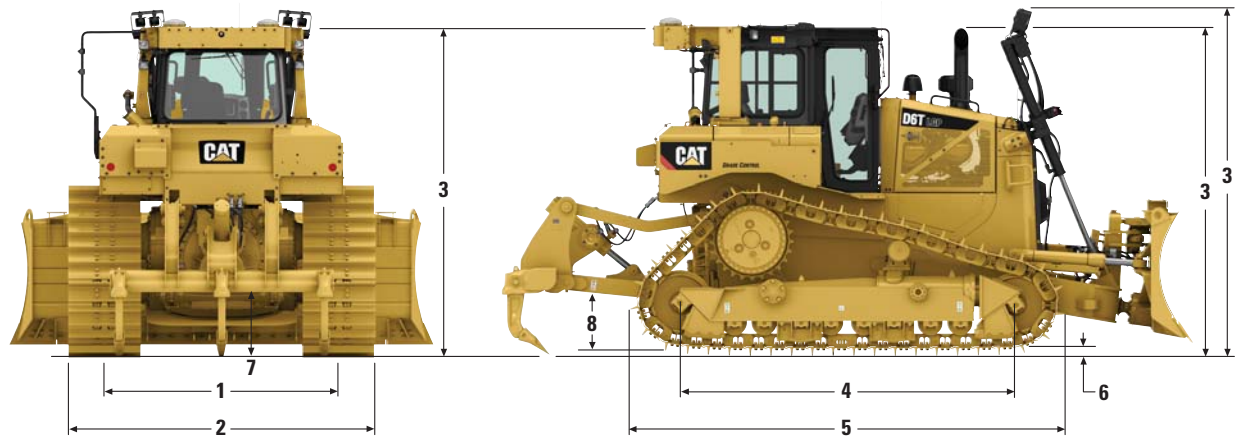


D6T Track-Type Tractor Specifications

Dimensions

All dimensions are approximate.



	XL	XL Fine Grading	XL Narrow	XW	LGP
1 Track gauge	1880 mm	1880 mm	1880 mm	2032 mm	2286 mm
2 Width of tractor over trunnions	2640 mm ⁽⁴⁾	2655 mm	2640 mm	2950 mm	3491 mm
Width of tractor without trunnions (standard track)	2440 mm ⁽⁴⁾	2440 mm	2440 mm	2792 mm	3201 mm
3 Machine height ⁽²⁾ from tip of grouser:					
ROPS	3185 mm	3185 mm	3185 mm	3185 mm	3235 mm
Product Link Antenna	3253 mm	3253 mm	3253 mm	3253 mm	3303 mm
Premium Light Package	3341 mm	3341 mm	3341 mm	3341 mm	3097 mm
Height to top of Sweeps (not shown) ⁽³⁾	3202 mm	3202 mm	3202 mm	3202 mm	3249 mm
4 Length of track on ground	2814 mm	3245 mm	2814 mm	2814 mm	3245 mm
5 Length of basic tractor	4210 mm	4415 mm	4210 mm	4210 mm	4415 mm
With the following attachments add:					
Drawbar	218 mm	258 mm	218 mm	218 mm	258 mm
Ripper Multi-shank (tip at ground line)	1387 mm	1291 mm	1387 mm	1387 mm	1291 mm
Winch	562 mm	457 mm	562 mm	562 mm	457 mm
SU Blade/SU Blade Narrow (S Blade LGP)	1128 mm	1330 mm	1110 mm	1128 mm	1056 mm
A Blade	1005 mm	N/A	N/A	1075 mm	1379 mm
A Blade angled approximately 25° for transport	837 mm	N/A	N/A	889 mm	989 mm
6 Height of grouser	65 mm	65 mm	65 mm	65 mm	65 mm
7 Ground clearance	375 mm	375 mm	375 mm	375 mm	406 mm
Oscillation at front idler	141 mm	163 mm	141 mm	137 mm	163 mm
Track pitch	203 mm	203 mm	203 mm	203 mm	203 mm
Number of shoes per side	41	45	41	41	45
Track rollers/carrier rollers per side	7/1	8/1	7/1	7/1	8/1
Standard shoe width (moderate service)	560 mm	560 mm	560 mm	760 mm	915 mm
Ground contact area (standard track) ⁽¹⁾	3.50 m ²	3.98 m ²	3.50 m ²	4.75 m ²	6.49 m ²
Ground pressure (ISO 16754) ⁽¹⁾	59.7 kPa	55.8 kPa	64.5 kPa	45.8 kPa	35.2 kPa
8 Drawbar height	576 mm	576 mm	576 mm	576 mm	626 mm
From ground face of shoe	511 mm	511 mm	511 mm	511 mm	561 mm

⁽¹⁾ All dimensions above with Heavy Duty undercarriage. XL and XW with SU blade, LGP with S blade with no rear attachments unless otherwise specified and calculated per ISO 16754.

⁽²⁾ When Cat GRADE with 3D antennas are installed, overall machine height at the ROPS increases by approximately 73 mm.

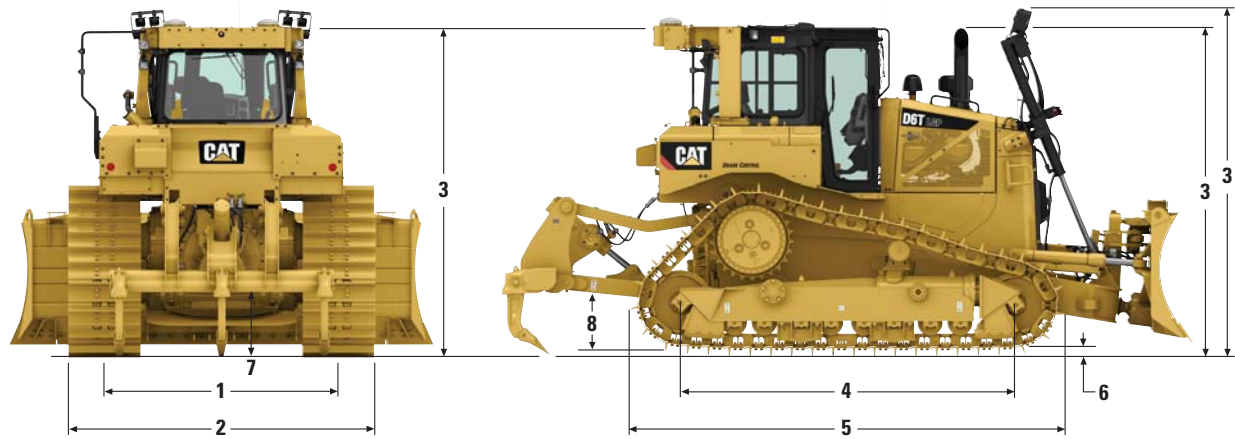
⁽³⁾ Forestry Sweeps are approximately 65 mm higher than standard sweeps when product link antenna is mounted.

⁽⁴⁾ Dimensions with handle and guardrail removed. Dimensions with guardrail and handle are 2690 mm and 2654 mm without trunnions and with trunnions respectively.

D6T Track-Type Tractor Specifications

Dimensions

All dimensions are approximate.



	XL VPAT	XW VPAT	XW VPAT Foldable	LGP VPAT	LGP VPAT Foldable
1 Track gauge	2134 mm	2286 mm	2286 mm	2286 mm	2286 mm
2 Width of tractor over trunnions	—	—	—	—	—
Width of tractor without trunnions (standard track)	2717 mm	2996 mm	2996 mm	3143 mm	3143 mm
3 Machine height ⁽²⁾ from tip of grouser:					
ROPS	3185 mm	3235 mm	3235 mm	3235 mm	3235 mm
Product Link Antenna	3253 mm	3303 mm	3303 mm	3303 mm	3303 mm
Premium Light Package	3352 mm	3402 mm	3402 mm	3402 mm	3402 mm
Height to top of Sweeps (not shown) ⁽³⁾	3202 mm	3249 mm	3249 mm	3249 mm	3249 mm
4 Length of track on ground	2814 mm	3245 mm	3245 mm	3245 mm	3245 mm
5 Length of basic tractor	4894 mm	5002 mm	5002 mm	5002 mm	5002 mm
With the following attachments add:					
Drawbar	218 mm	258 mm	258 mm	258 mm	258 mm
Ripper Multi-shank (tip at ground line)	1387 mm	1291 mm	1291 mm	1291 mm	1291 mm
Winch	562 mm	457 mm	457 mm	457 mm	457 mm
VPAT Blade	489 mm	486 mm	486 mm	486 mm	486 mm
VPAT Blade angled approximately 25° for transport	670 mm	720 mm	N/A	720 mm	N/A
VPAT blade folded for transportation	N/A	N/A	1000 mm	N/A	1000 mm
6 Height of grouser	65 mm	65 mm	65 mm	65 mm	65 mm
7 Ground clearance	375 mm	406 mm	406 mm	406 mm	406 mm
Oscillation at front idler	141 mm	163 mm	163 mm	163 mm	163 mm
Track pitch	203 mm	203 mm	203 mm	203 mm	203 mm
Number of shoes per side	41	45	45	45	45
Track rollers/carrier rollers per side	7/1	8/1	8/1	8/1	8/1
Standard shoe width (moderate service)	560 mm	710 mm	710 mm	790 mm	790 mm
Ground contact area (standard track) ⁽¹⁾	3.50 m ²	5.05 m ²	5.05 m ²	5.60 m ²	5.60 m ²
Ground pressure (ISO 16754) ⁽¹⁾	67.4 kPa	47.7 kPa	52.0 kPa	43.3 kPa	47.2 kPa
8 Drawbar height					
From ground face of shoe	576 mm	626 mm	626 mm	626 mm	626 mm
	511 mm	561 mm	561 mm	561 mm	561 mm

⁽¹⁾ All dimensions above with Heavy Duty undercarriage. XL and XW with SU blade, LGP with S blade with no rear attachments unless otherwise specified and calculated per ISO 16754.

⁽²⁾ When Cat GRADE with 3D antennas are installed, overall machine height at the ROPS increases by approximately 73 mm.

⁽³⁾ Forestry Sweeps are approximately 65 mm higher than standard sweeps when product link antenna is mounted.